



Maintenance Manual

Total Control Heating



Hebridean Housing Partnership
Creed Court,
Gleann Seileach Business Park,
Willowglen,
Stornoway, Isle of Lewis, HS1 2EP.

E-mail: info@hebrideanhousing.co.uk
Registered Charity No : SC035767
Industrial & Providential Society Registration No : 2644R(S)

Tel: 01851 707921

This booklet has been developed by HHP to help you understand how to work your total control electric central heating system.

Please keep this booklet in a safe place.

TOTAL CONTROL Storage Heaters



XL STORAGE HEATERS

1. Input Control - controls the temperature of the heater. Set to maximum during coldest weather. Can be reduced in milder weather. The higher the setting, the warmer your heater will become.

2. Boost Control - controls the amount of heat given later in the day. Normally leave the boost setting at minimum. Turn up if more heat is required later in the day. Leaving the control on a higher setting will provide automatic boost each day.

3. On/Off switch
Leave on during heating season.

CXL COMBINED STORAGE AND CONVECTOR HEATERS

4. Input and Boost Controls - same as XL heaters.

5. Convector Boost On/Off Switch
Switch on if top up required. Neon light shows when boost is selected.

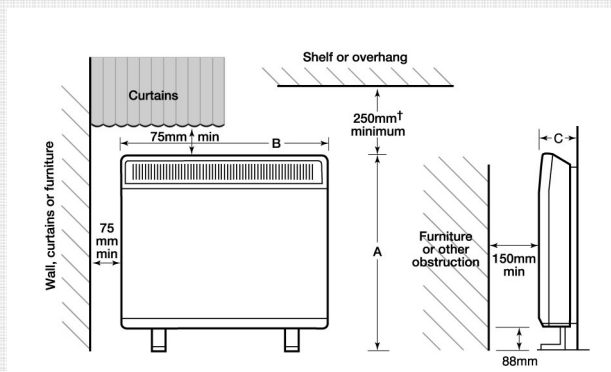
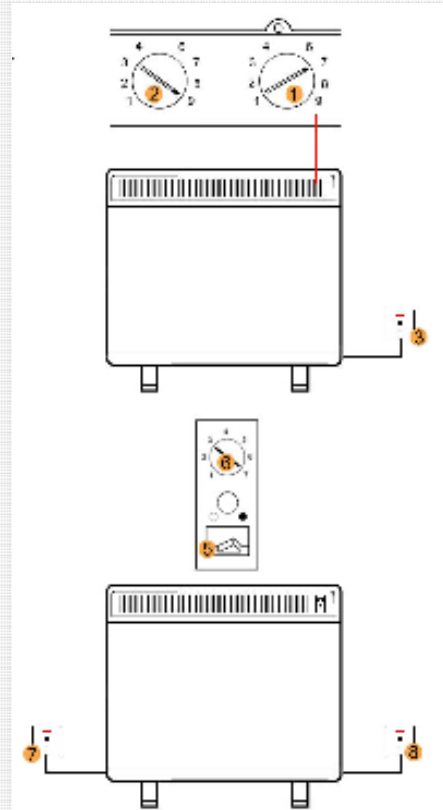
6. Convector Boost Heat Setting
Thermostat control to select your chosen comfort level.

7. Convector On/Off Switch
Leave on.

8. Storage On/Off Switch
Leave on during heating season.

STORAGE HEATERS

See below for guide to siting of furniture and fittings.





TOTAL CONTROL Convection Heaters

PLX(TI) PANEL CONVECTOR HEATERS

1. Thermostat

Set control to appropriate position to give comfort level required. Heater will switch on and off as necessary. A higher setting will make the room warmer.

2. Time Clock

Can be set to switch heater on and off automatically. Either push tabs in or pull tabs forward for on periods, depending on which model.

3. Selector Switch

Auto: Heater controlled by time switch.
Off: Heater off (clock still runs).
Man: Heater on continuously.

4. Heat Selection Switch

Switches between half and full load.

Lockable Cover

Open and close with flat screwdriver

On/Off switch

Leave on during heating season



HORTON FOCAL POINT INSET FIRE

Controls

1kw or 2kw heat output plus thermostatic control.
Controls concealed under the canopy

IMPORTANT INFORMATION

Warning - The surfaces of these heaters can be hot

Momentary contact with any part of the heater should not cause injury. However, aged or infirm persons or young children should not be left unsupervised in the vicinity of the heater unless supervised.

Important -Do not cover the heaters

Do not place material or garments on the heater, or obstruct the air circulation around the heaters, for instance by curtains or furniture, as this could create a fire risk.

Fixing and Moving

Storage heaters are heavy and are fixed to the walls. Do not attempt to move.

Cleaning

Do not use abrasive cleaning powders or furniture polish on your heaters.
When cool the heater can be wiped over with a dry duster or damp cloth.

TOTAL CONTROL Water Heating



HORSTMANN E7BX WATER CONTROLLER

BOOST FACILITY 2 HOUR

Whenever you require additional Hot water out side of an Off-Peak period, simply rotate the Boost timer. The Boost will automatically switch OFF at the end of the chosen Boost period, ensuring that you use only the minimum of Standard Rate electricity required to meet your requirements.

NOTE

On systems with dual or two separate immersion elements, the Boost supply activates the short or top element. The Off-Peak rate supply activates the long or bottom element.

The E7BX has one indicating neon.

For installations with two immersion heaters the neon indicator will be illuminate only when power is being supplied to the Boost element.

For installations with a single immersion heater the neon indicator will be illuminated when either the Boost or Off Peak supply is activated.



ISOLATOR SWITCHES

The E7BX has a built in double pole isolator switch labelled timed and OFF.

For installations with two immersion heaters the OFF position will only isolate the Off Peak supply. An additional switch, necessary to the installation, will switch off the supply to your Boost immersion element.

For installations with a single immersion heater the OFF position will only isolate both the Off Peak supply and the Boost immersion element. (the neon is controlled via the Boost timer and will be lit even with the isolator switch in the OFF position).

HORSTMANN ELECTRISAVER E30

BOOST FACILITY

To use the Electrisaver simply press the BOOST button in quick succession until the indicator light for the required Boost period is illuminated (see table below)

Press button to select length of Boost required			
Button Press	1	2	3
E30	30 mins	1 Hour	2 Hours



To cancel a Boost period press the BOOST button continuously until ALL the indicator lights are OFF. Keeping the Boost button depressed will cancel any Boost period.

When the Boost is activated the indicator light will 'countdown' showing the approximate duration of the Boost period remaining.